

	48"	60"	78"	96"
3/4" JACKSHAFT KIT				
STRAIGHT OIL*	880-328	880-331	880-334	880-337
STRAIGHT GAS	880-329	880-332	880-335	880-338
COMBINATION OIL/GAS*	880-330	880-333	880-336	880-339

LINKAGE ASSEMBLIES				
GAS VALVE LINKAGE	476-33	476-14	476-47	476-61
AIR DAMPER LINKAGE	476-107	476-54	476-62	476-65
MODULATING MOTOR LINKAGE	476-103	476-53	476-63	476-102
ARM, MODULATING MOTOR	287-8	287-8	287-8	287-8

NOTE: LINKAGE CAN BE USED WITH 1/2" OR 3/4" JACKSHAFTS.

*=NOT RECOMMENDED FOR BOILERS WITH OIL METERING VALVES.
ONLY TO BE USED WITH FUEL OIL CONTROLLER.

Cleaver Brooks®

DIVISION OF AQUA-CHEM, INC.
P. O. BOX 421 • MILWAUKEE, WIS. 53201

PARTS REFERENCE

DATE

3/1/86

3/4" JACKSHAFT KITS AND
LINKAGE ASSEMBLIES
FOR C-B BOILERS

REVISION NO.

1

SHEET

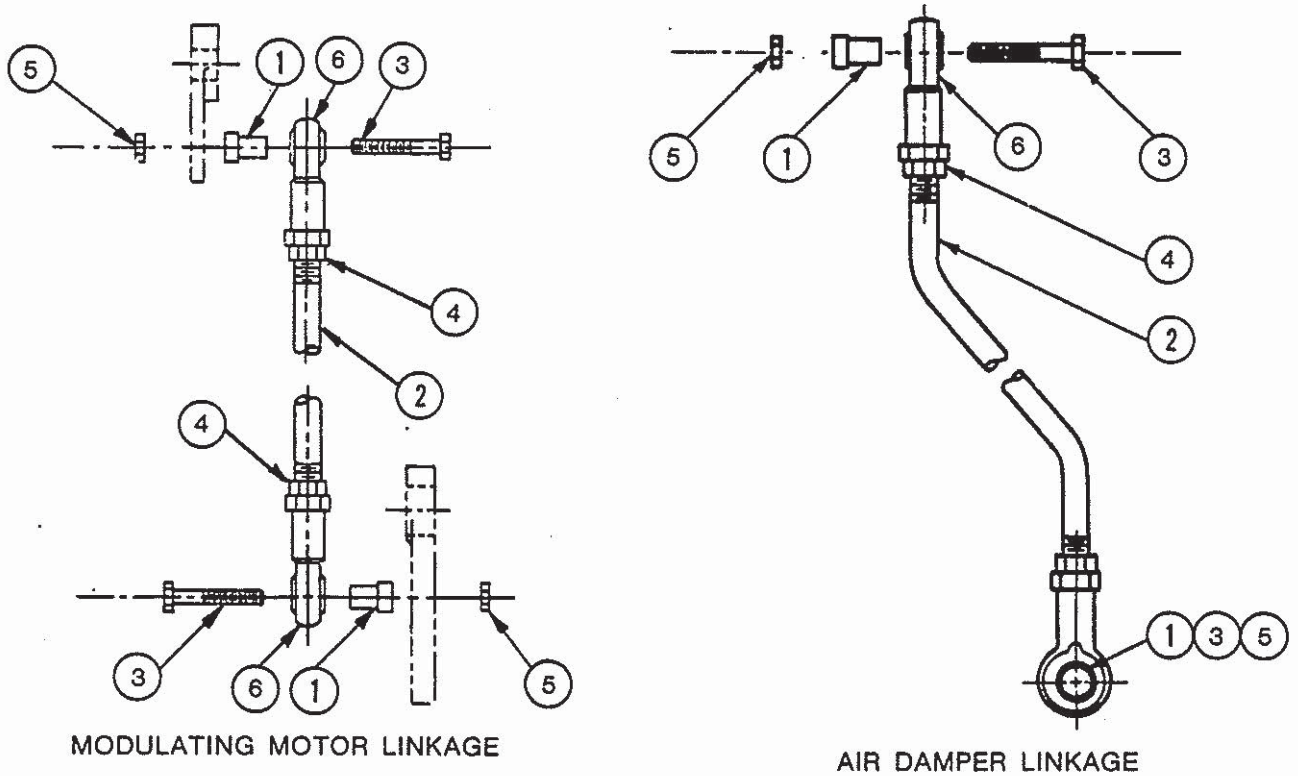
NO. 1 OF 1


REFERENCE NO.

FT4.4.1

THIS INFORMATION IS CONFIDENTIAL AND IS NOT TO BE
USED IN ANY WAY DETRIMENTAL TO THE COMPANY'S INTERESTS.

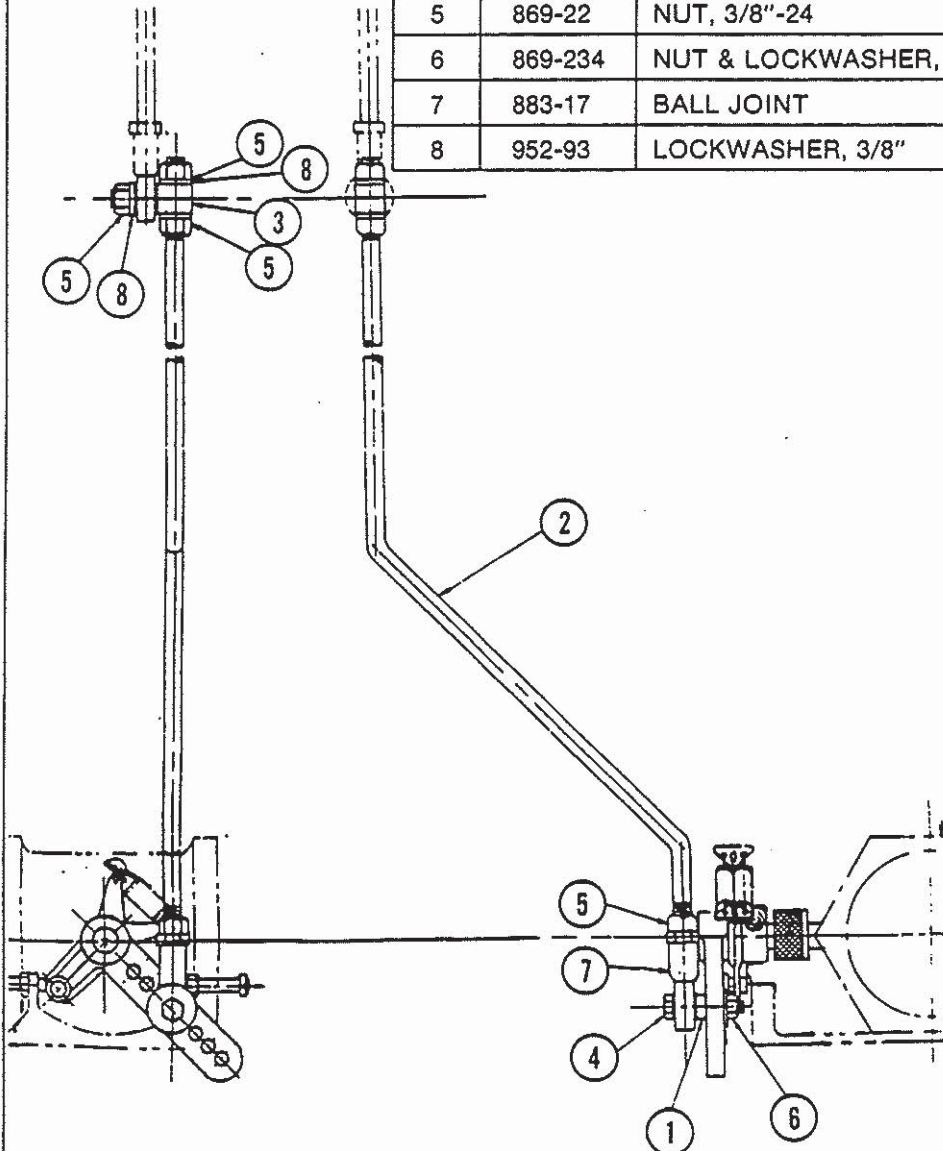
ITEM	PART NO.	DESCRIPTION	MOD. MOTOR				AIR DAMPER			
			QTY.				QTY.			
			48"	60"	78"	96"	48"	60"	78"	96"
1	10-288	BUSHING, BALL JOINT	2	2	2	2	2	2	2	2
2	67-16	ROD, AIR DAMPER						1		
	67-109	ROD, MOD. MOTOR		1						
	67-126	ROD, AIR DAMPER						1		
	67-156	ROD, AIR DAMPER								1
	67-474	ROD, MOD. MOTOR				1				
	67-500	ROD, MOD. MOTOR			1					
	67-507	ROD, AIR DAMPER					1			
	67-511	ROD, MOD. MOTOR	1							
3	868-139	CAPSCREW, 1/4"-20 x 1-1/2" LG	2	2	2	2	2	2	2	2
4	869-22	NUT, 3/8"-24	2	2	2	2	2	2	2	2
5	869-234	NUT & LOCKWASHER, 1/4"	2	2	2	2	2	2	2	2
6	883-17	BALL JOINT	2	2	2	2	2	2	2	2



 <p>DIVISION OF AQUA-CHEM, INC. P.O. BOX 421 • MILWAUKEE, WIS. 53201</p> <p>PARTS REFERENCE</p>	DATE	LINKAGE DETAIL, MOD. MOTOR & AIR DAMPER	
	4/28/86		
	REVISION NO.	SHEET	REFERENCE NO.
1	NO. 1 OF 1	FT 4.4.2	

THIS INFORMATION IS CONFIDENTIAL AND IS NOT TO BE USED IN ANY WAY DETRIMENTAL TO THE COMPANY'S INTERESTS.

ITEM	PART NO.	DESCRIPTION	BUTTERFLY VALVE			
			QUANTITY			
			48"	60"	78"	96"
1	10-288	BUSHING, BALL JOINT	1	1	1	1
2	67-17	ROD, BUTTERFLY VALVE		1		
	67-124	ROD, BUTTERFLY VALVE			1	
	67-161	ROD, BUTTERFLY VALVE				1
	67-223	ROD, BUTTERFLY VALVE	1			
3	68-32	ROD END, BUTTERFLY VALVE	1	1	1	1
4	868-139	CAPSCREW, 1/4"-20 x 1-1/2" LG	1	1	1	1
5	869-22	NUT, 3/8"-24	4	4	4	4
6	869-234	NUT & LOCKWASHER, 1/4"	1	1	1	1
7	883-17	BALL JOINT	1	1	1	1
8	952-93	LOCKWASHER, 3/8"	3	3	3	3



Cleaver Brooks®

DIVISION OF AQUA-CHEM, INC.
P. O. BOX 421 • MILWAUKEE, WIS. 53201

PARTS REFERENCE

DATE
11/4/85

LINKAGE DETAIL,
BUTTERFLY GAS VALVE

REVISION NO. 0	SHEET NO. 1 OF 1	REFERENCE NO. FT 4.4.3
-------------------	---------------------	---------------------------

THIS INFORMATION IS CONFIDENTIAL AND IS NOT TO BE USED IN ANY WAY DETRIMENTAL TO THE COMPANY'S INTERESTS.