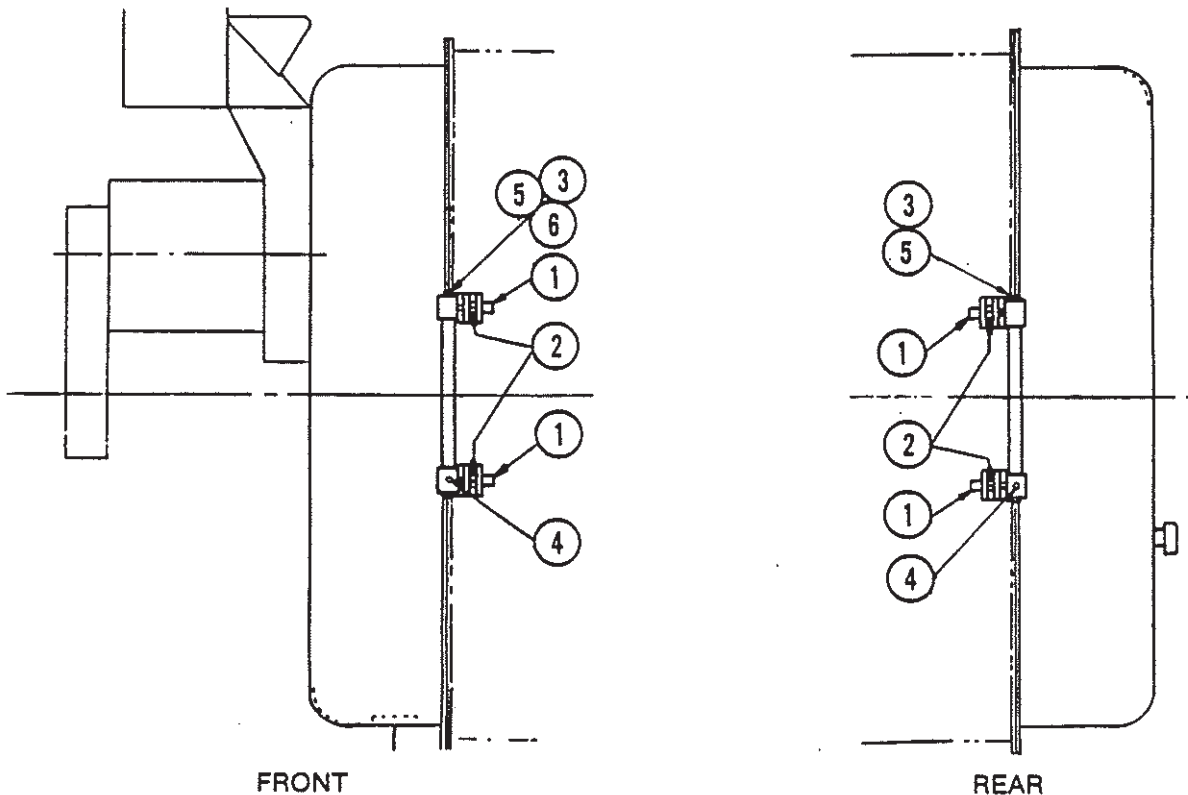


| ITEM | PART NO. | FRONT | | | REAR | | DESCRIPTION |
|------|----------|-------|-----|-----|------|-----|---------------------------|
| | | 36" | 48" | 60" | 36" | 48" | |
| 1 | 7-9 | | 2 | | | 1 | EYEBOLT, DOOR HINGE |
| | 7-39 | 2 | | | 2 | | EYEBOLT, DOOR HINGE |
| | 7-44 | | | | | 1 | EYEBOLT, DOOR HINGE |
| | 7-61 | | | 2 | | | EYEBOLT, DOOR HINGE |
| 2 | 51-219 | | 2 | | | 2 | NUT, 1-1/4" JAM |
| | 51-220 | | | 2 | | | NUT, 1-3/4" JAM |
| | 51-221 | 2 | | | 2 | | NUT, 3/4" JAM |
| 3 | 56-2 | | | 1 | | | PIN, HINGE |
| | 56-241 | 1 | | | 1 | | PIN, HINGE |
| | 56-254 | | 1 | | | 1 | PIN, HINGE |
| 4 | 860-236 | | 2 | 2 | | 1 | SETSCREW, 1/2"-13 x 1" LG |
| 5 | 914-86 | 1 | | | | 1 | RING, RETAINER |
| | 914-147 | | 1 | 1 | | 1 | RING, RETAINER |
| 6 | 952-239 | 2 | | | | | WASHER, 3/4" FLAT |



Cleaver Brooks
 DIVISION OF AQUA-CHEM, INC.
 P. O. BOX 421 • MILWAUKEE, WIS. 53201

PARTS REFERENCE

DATE
11/12/85

FRONT & REAR HINGE ASSEMBLY

REVISION NO.
0

SHEET
NO. 1 OF 1

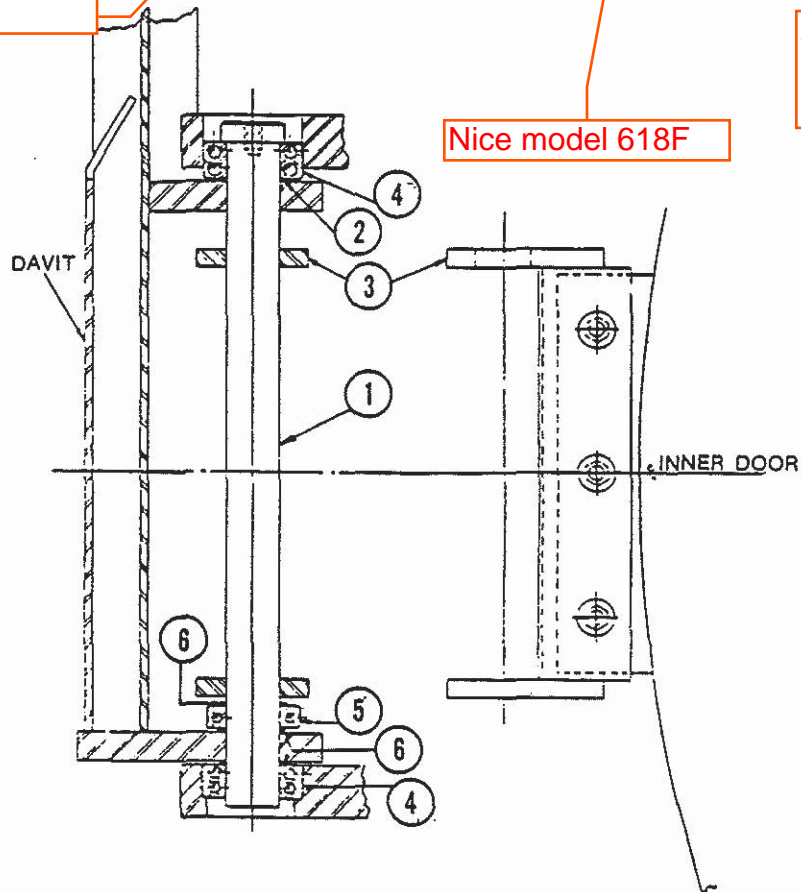
REFERENCE NO.
FT 4.6.1

| ITEM | PART NO. | FRONT | | DESCRIPTION |
|------|----------|-------|-----|---|
| | | 78" | 96" | |
| 1 | 56-26 | 1 | | PIN, FRONT HINGE |
| | 56-27 | | 1 | PIN, FRONT HINGE |
| 2 | 57-907 | 1 | | PIPE, 1-1/2" x 1/2" LG SPACER |
| | 57-908 | | 1 | PIPE, 2" x 1/2" LG SPACER |
| 3 | 138-15 | 1 | | HINGE BRACKET |
| | 138-36 | | 1 | HINGE BRACKET |
| 4 | 807-31 | 2 | | BEARING, DOUBLE |
| | 807-324 | | 2 | BEARING, DOUBLE |
| 5 | 807-322 | 1 | | BEARING, SINGLE THRUST |
| | 807-325 | | 1 | BEARING, SINGLE THRUST |
| 6 | 952-245 | 5 | | WASHER, 1-7/8" OD x 1-13/32" ID x 1/16" THK |
| | 952-250 | | 5 | WASHER, 1-3/4" |

Hoover 5209

Andrews D-22
Consolidated D-22
INA D-5

Nice model 618F



Cleaver Brooks®

DIVISION OF AQUA-CHEM, INC.
P.O. BOX 421 • MILWAUKEE, WIS. 53201

PARTS REFERENCE

DATE

11/13/85

FRONT DAVIT 78" & 96"

REVISION NO.

0

SHEET

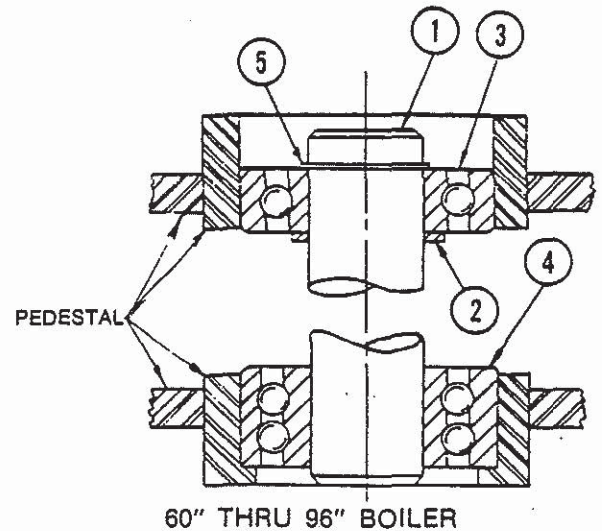
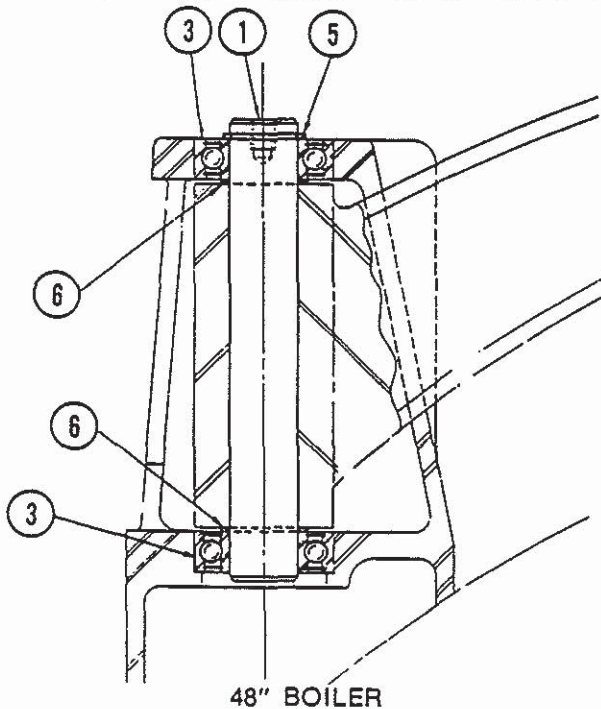
NO. 1 OF 3

REFERENCE NO.

FT 4.6.2

THIS INFORMATION IS CONFIDENTIAL AND IS NOT TO BE
USED IN ANY WAY DETRIMENTAL TO THE COMPANY'S INTERESTS.

| ITEM | PART NO. | REAR | | | | DESCRIPTION |
|------|----------|------|-----|-----|-----|---|
| | | 48" | 60" | 78" | 96" | |
| 1 | 56-15 | | 1 | | | PIN, REAR HINGE |
| | 56-20 | 1 | | | | PIN, REAR HINGE |
| | 56-25 | | | 1 | | PIN, REAR HINGE |
| | 56-66 | | | | 1 | PIN, REAR HINGE |
| 2 | 77-385 | | | 1 | | SPACER |
| | 77-386 | | | | 1 | SPACER |
| | 77-390 | | 1 | | | SPACER |
| 3 | 807-65 | 2 | 1 | | | BEARING, SINGLE |
| | 807-319 | | | 1 | | BEARING, SINGLE UPPER |
| | 807-326 | | | | 1 | BEARING, SINGLE UPPER |
| 4 | 807-31 | | | 1 | | BEARING, DOUBLE LOWER |
| | 807-52 | | | | 1 | BEARING, DOUBLE LOWER |
| | 807-64 | | 1 | | | BEARING, DOUBLE LOWER |
| 5 | 914-147 | 1 | 1 | | | RING, RETAINER |
| | 914-158 | | | 1 | | RING, RETAINER |
| 6 | 952-234 | 2 | | | | WASHER, 1-11/64" OD x 1" ID x 1/32" THK |
| | 952-235 | 2 | | | | WASHER, 1-11/16" OD x 1" ID x 1/16" THK |



Cleaver Brooks®

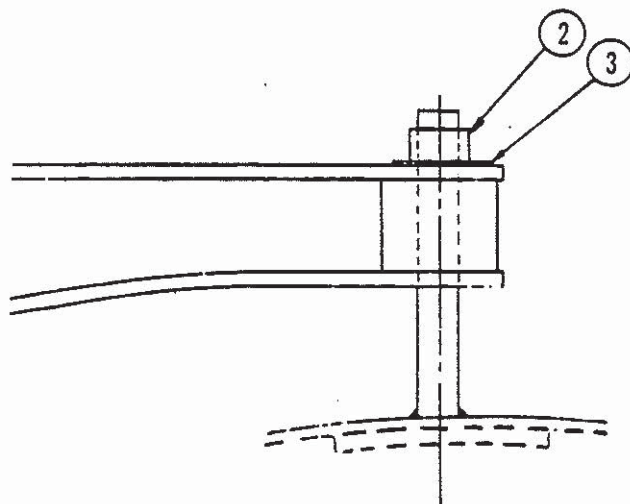
DIVISION OF AQUA-CHEM, INC.
P. O. BOX 421 • MILWAUKEE, WIS. 53201

PARTS REFERENCE

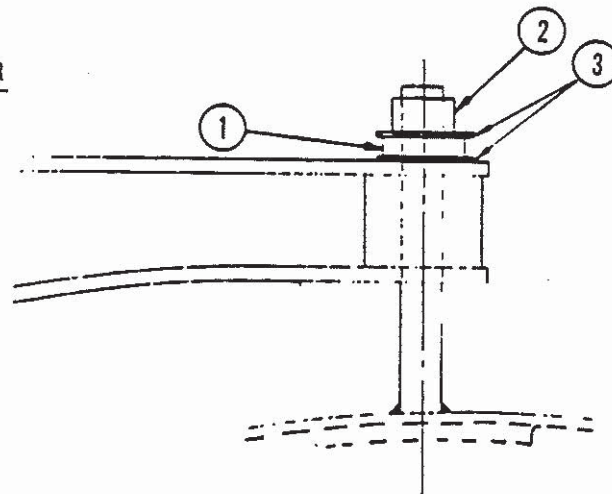
| | | |
|----------|-------------------------|------------|
| DATE | REAR DAVIT 48" THRU 96" | |
| 11/13/85 | REVISION NO. | SHEET |
| | 0 | NO. 2 OF 3 |
| | REFERENCE NO. | FT 4.6.2 |

THIS INFORMATION IS CONFIDENTIAL AND IS NOT TO BE USED IN ANY WAY DETRIMENTAL TO THE COMPANY'S INTERESTS.

| ITEM | PART NO. | FRONT | | REAR | | | | DESCRIPTION |
|------|----------|-------|-----|------|-----|-----|-----|----------------------|
| | | 78" | 96" | 48" | 60" | 78" | 96" | |
| 1 | 807-333 | | | | | | 1 | BEARING, 1-3/8" |
| 2 | 869-157 | | | | 1 | | | NUT, 1" SELF LOCKING |
| | 869-160 | | | 1 | | | | NUT, 3/4" LOCKNUT |
| | 869-398 | 1 | | | | | | NUT, 1" LOCKNUT |
| | 869-399 | | 1 | | | 1 | 1 | NUT, 1-1/4" LOCKNUT |
| 3 | 952-193 | | 1 | | | 1 | | WASHER, 1-3/8" FLAT |
| | 952-194 | 1 | | | 1 | | | WASHER, 1" FLAT |
| | 952-225 | | | | | | 1 | WASHER, 1-5/16" FLAT |
| | 952-239 | | | 1 | | | | WASHER, 3/4" FLAT |



48" THRU 78" BOILER



96" BOILER

Cleaver-Brooks®

DIVISION OF AQUA-CHEM, INC.
P. O. BOX 421 • MILWAUKEE, WIS. 53201

PARTS REFERENCE

DATE

11/13/85

FRONT & REAR HEAD DAVIT
48" THRU 96"

REVISION NO.

0

SHEET

NO. 3 OF 3

REFERENCE NO.

FT 4.6.2

THIS INFORMATION IS CONFIDENTIAL AND IS NOT TO BE
USED IN ANY WAY DETRIMENTAL TO THE COMPANY'S INTERESTS.